

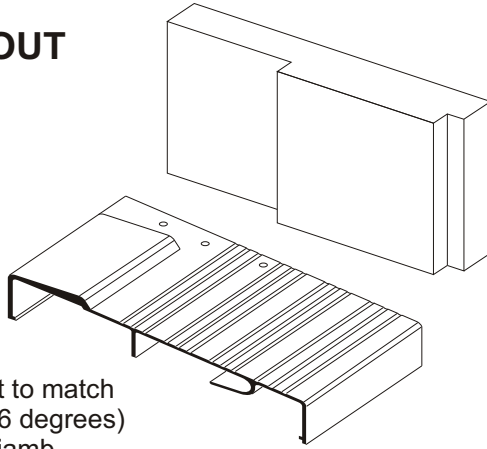
## Section 3 FABRICATION OPTIONS for "COMBO SILLS"

The Combo Sill, a combination sill and threshold, and other threshold products can be customized for a variety of applications. The most commonly used fabrications are illustrated below, and include the

appropriate **ordering information**. Center holes are countersunk. Sills can be ordered **without** center holes, if required. Illustrations are not to scale. See price list for fabrication cost.

### NAIL-ON ROUT

For wood door frames, using nails or staples to attach jambs to the Combo Sills (nail holes provided).



#### Installation:

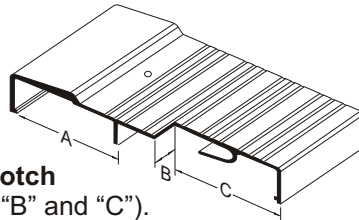
Jamb must be cut to match slope of sill. (Eg. 6 degrees)  
Cut left and right jamb.

**Order:** Door opening plus rout size.  
**Rout Sizes:** R3 = 3/8", R4 = 1/2", R6 = 3/4",  
R7 = 7/8", R8 = 1", R9 = 1-1/8",  
R10 = 1-1/4"

**Holes:** One (1) center hole per door.  
Three (3) nail end holes.

### SILL NOTCH (SN)

SN is a milling operation to fit the sill around the frame or trim molding.

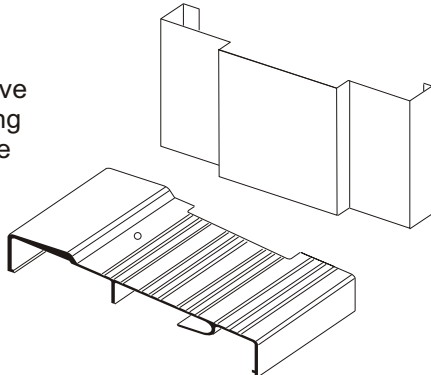


**Order:** Dimensions of notch required (ie: "A", "B" and "C").

**Holes:** Three (3) center holes per door.

### ROUT FOR METAL FRAMES (RMF)

RMF is a milling operation to remove aluminum, enabling the threshold to be "dropped" into place.

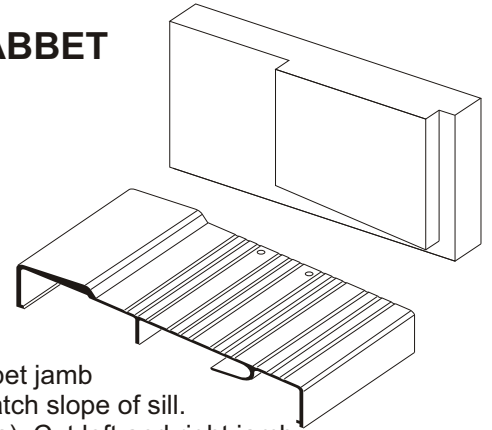


**Order:** Exact length required. Specify stop size, and "inswing" or "outswing" door.

**Holes:** Three (3) center holes per door.

### NAIL-ON RABBET

For wood door frames, using nails or staples to attach door jambs to the Combo Sills (nail holes provided).



#### Installation:

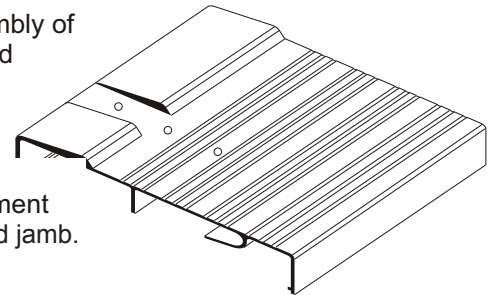
Door stop on rabbet jamb must be cut to match slope of sill. (5, 6, or 9 degrees). Cut left and right jamb.

**Order:** Exact length required.  
**Holes:** One (1) center hole per door.  
Two (2) end holes. Specify location.

### MULLION ROUT (MR)

For shop assembly of door, frame, and lites prior to installation on the job.

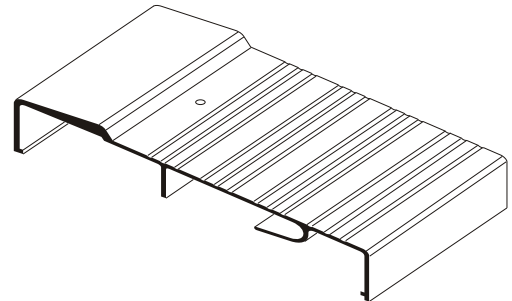
Ensures most positive attachment between sill and jamb.



**Order:** Exact length required and placement of rout from the outside looking in.

**Holes:** One (1) center hole per door.

### DROP IN STANDARD (NO FAB)



**Order:** Exact Sill length.

**Holes:** Three (3) center holes per door.