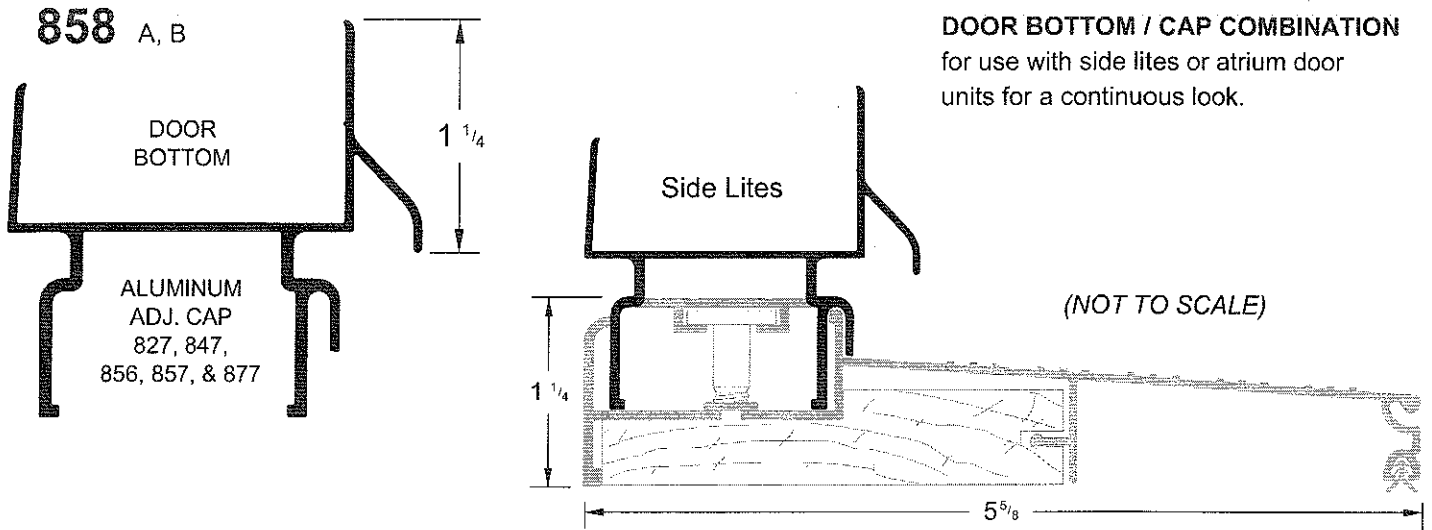


Section **11** MISCELLANEOUS

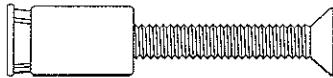


SPECIAL ANCHORS

(NOT TO SCALE)

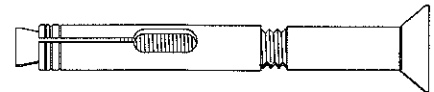
Fasteners other than standard may be substituted at the time of ordering at additional cost. Bulk fasteners are available per hundred or per pound.

9100



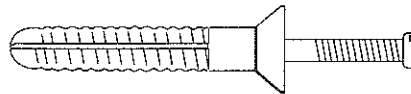
Machine screw with **lead anchor**.
10-24 x 2", 3/8" hole required.
Zinc & bronze.

9101



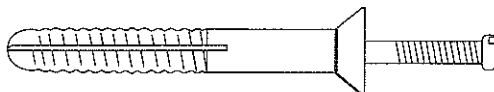
Lock anchor, zinc plated only.
1/4" x 2", 1/4" hole required.

9102



Nylon drive anchor. 1/4" x 1-1/2", 1/4" hole required.

9103



Nylon drive anchor. 1/4" x 2",
1/4" hole required.

9104



Plastic screw anchor. 1/4" x 1",
1/4" hole required.