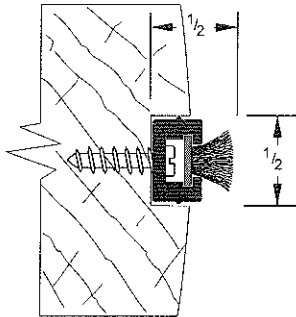


Section 10 ASTRAGALS & MEETING STILES

<p>All Astragals and Meeting Stiles are cut exact. Standard Sizes: 80" and 84" (Except as noted).</p> <p>Other lengths are available and are cut exact as ordered (Extra cost over 84").</p>	<p>Steel Meeting Stiles are furnished with countersunk holes.</p> <p>Vinyl seal is black; fasteners are provided.</p>
---	---

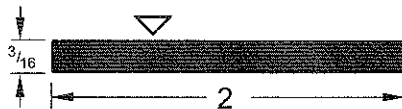
1130 P



Black rigid vinyl retainer. Mortised or surface mounted for proper sealing pressure. Black pile seal (#9082) shown. Optional seals available. SMS 4 x 5/8" phillips panhead screws are provided. **84" Length.**

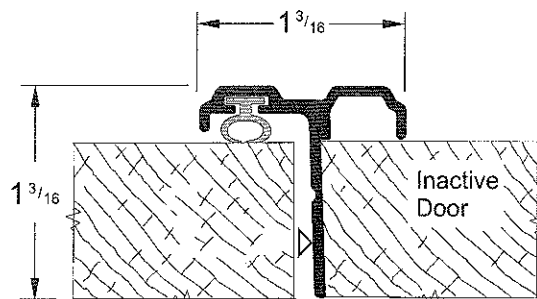
Optional seals:
9032T Bulb
9082 Pile (Black)
9088 Finned Pile (Black)
(See seal profiles on page 47)

1152 P (Primed) 96" Length only

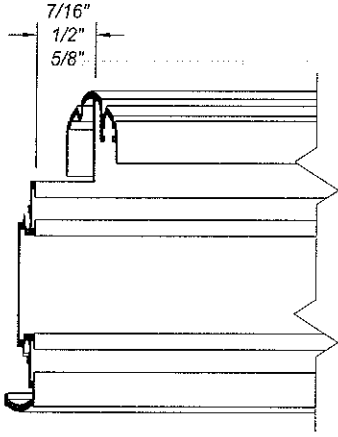


Steel meeting stile with countersunk holes. Primed finish. SMS 10 x 1" phillips flathead screws are provided.

1201 A, B, PG, W



Extruded aluminum T-Astragal. Screw nails provided.



ASTRAGAL STOP CUT OPTION

ASTRAGAL STOP CUT (ASC)
(for Parts 5000, 5400, 5450, 5475, & 5500)

Available Sizes: **7/16"**, **1/2"**, & **5/8"**

ASTRAGAL PRODUCTS FOR 1-3/4" IN-SWING DOORS

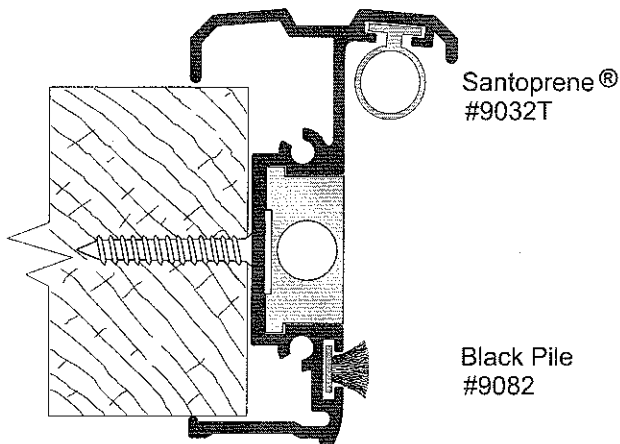
Standard Features for Astra-Bolts ®

- 1) Hardware pack includes steel strike plate, installation spacers, neoprene bottom seal, escutcheon plate for header, fasteners and full instructions.
- 2) Seal materials of Santoprene®, Q-Lon®, vinyl, or pile as noted.
- 3) Steel bolts 5/16" diameter.
- 4) All astragals are field handed and can be field trimmed to size.
- 5) Dead bolt punch out and trim plate with spacers are available or included, as noted.
- 6) Trim strips, trim plates, strike plates and accessories in black color or black finish.
- 7) Accommodates heavy reveal on newer doors.
- 8) Special sizes available.

Astra-Bolt® is a registered trade name for Combo Aluminum Product's Double Door Astragals.

5000 ASTRA-BOLT

B, S, W



This astragal has all of the standard features of other Combo Astra-Bolts, plus the C-index plate. This plate is an integral part of the lock mechanism which enables the bolt to function correctly when the astragal length has been field trimmed.

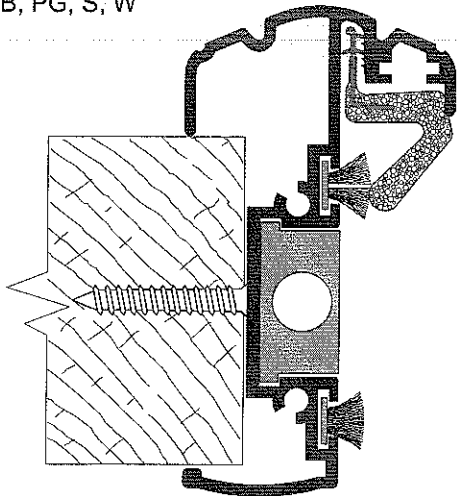
Specific Features:

- 1) **22" bolt units** with spring detent,
- 2) Double seal at exterior and interior location,
- 3) Requires **1/2"** space between doors (plus clearance),
- 4) Surface mount,
- 5) Includes bottom seal and top escutcheon plate.

Options: 8" Dead bolt punch out
 Dead bolt trim pack (trim plate and spacers)
 Pile seals (#'s 9082 and 9088)

5400 ASTRA-BOLT

B, PG, S, W



Schlegel
Q-Lon®

Black
Finned
Pile
#9088

Black Pile
#9082

**TRIPLE WEATHERSTRIP SEAL
and
22" LOCKING BOLTS**

Features:

- 1) Accepts doors with heavy reveal,
- 2) Field handed, can be field trimmed,
- 3) Full strike plate & dead bolt trim plate,
- 4) Dead bolt punch out for ease of installation,
- 5) Escutcheon plate for head,
- 6) Thermoplastic bottom seal.

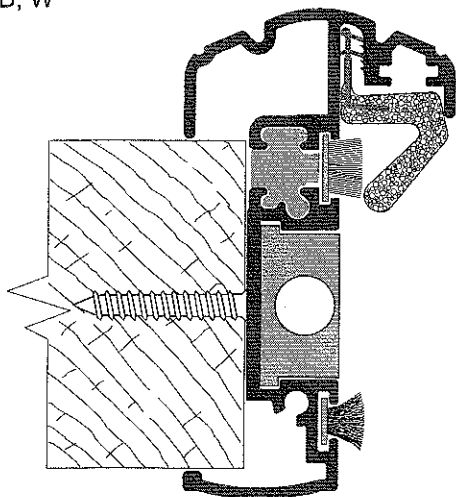
For in-swing doors only

1/2" space between doors plus clearance.

5450

THERMAL-BREAK ASTRA-BOLT

B, W



Schlegel
Q-Lon®

Black Pile

Thermal
Break

Black Pile
#9082

PATENT 6457751
(Bolt Assembly)

22 INCH SPRING
DETENT POSITIVE
ACTION BOLT UNIT
TOP & BOTTOM

QUARTER-TURN
RED KNOB FOR
ADDED SECURITY

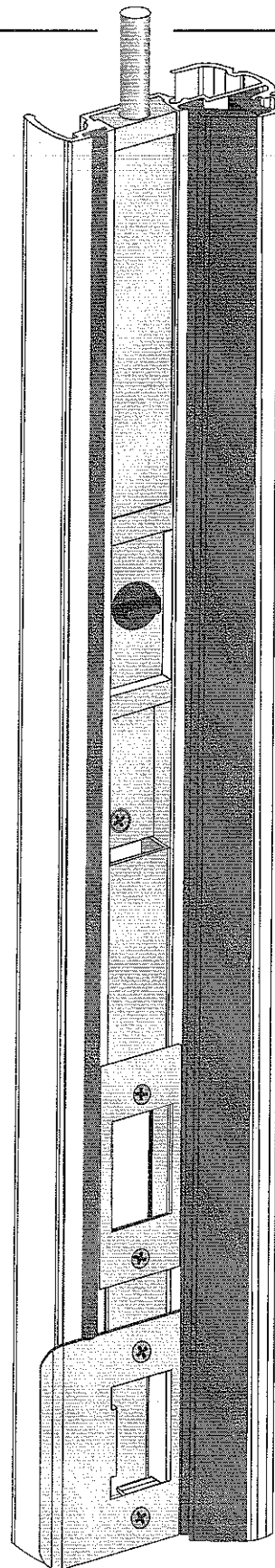
SCHLEGEL
Q-LON®
DOOR SEAL

INCLUDES 8"
PUNCH OUTS FOR
DEAD BOLT
(TWO ON 96"+)

DEAD BOLT TRIM
PLATE

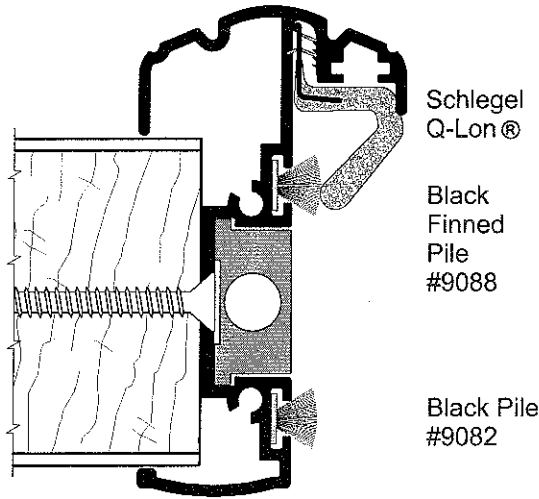
FULL STRIKE
PLATE

THIS DRAWING NOT TO SCALE



5475 HURRICANE-RATED ASTRA-BOLT

B, PG, S, W



Features:

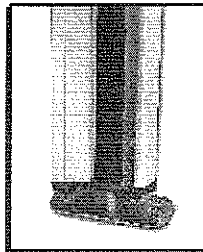
- 1) 5/16" dia hardened steel pin,
- 2) 22" spring detent positive action bolt unit top & bottom (Patent #6457751),
- 3) 2 heavy duty escutcheon plates for top and bottom.

Additionally:

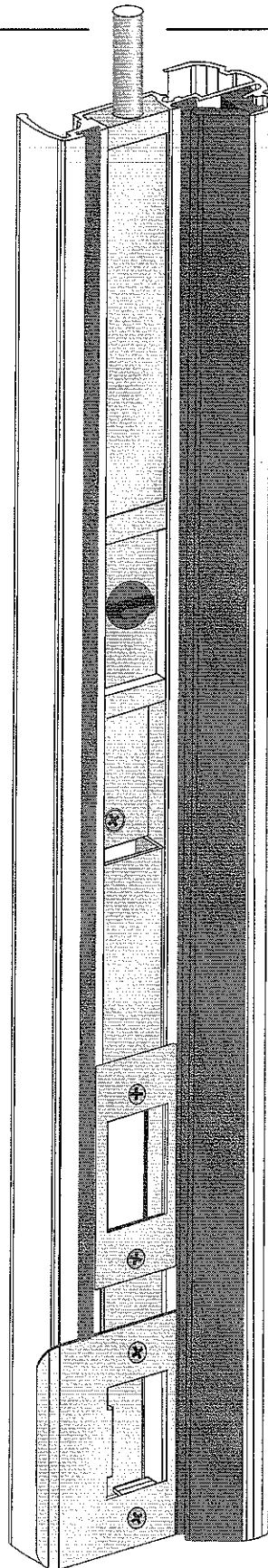
Field handed, can be field trimmed,
Thermoplastic bottom seal provided,
Fasteners included.

For in-swing doors only

1/2" space between doors
plus clearance.



THIS DRAWING NOT TO SCALE



PATENT 6457751
(Bolt Assembly)

5/16" DIAMETER
HARDENED
STEEL PIN

22 INCH SPRING
DETENT POSITIVE
ACTION BOLT UNIT
TOP & BOTTOM

QUARTER-TURN
RED KNOB FOR
ADDED SECURITY

SCHLEGEL
Q-LON®
DOOR SEAL

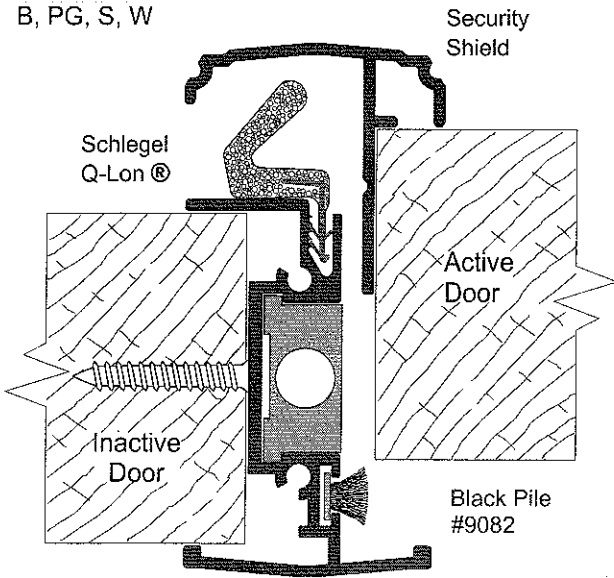
DEAD BOLT TRIM
PLATE

FULL STRIKE
PLATE

ASTRA-BOLT FOR OUT-SWING DOORS

5500

B, PG, S, W



22 INCH SPRING
DETENT POSITIVE
ACTION BOLT UNIT
TOP & BOTTOM

QUARTER-TURN
RED KNOB FOR
ADDED SECURITY

This COMBO two piece astragal is for:
1-3/4" OUT-SWING DOORS

Features:

For The Active Door:

Extruded aluminum Security Shield
(screw nails provided).

Option: Drill and countersink holes on
shield with screws provided.

For The Inactive Door:

Field handed, can be field trimmed,
Full strike plate & dead bolt trim plate,
Dead bolt punch out for ease of installation,
Escutcheon plate for head,
Spacing requirements: 1/2" for astragal and
1/16" for security shield, plus clearance.

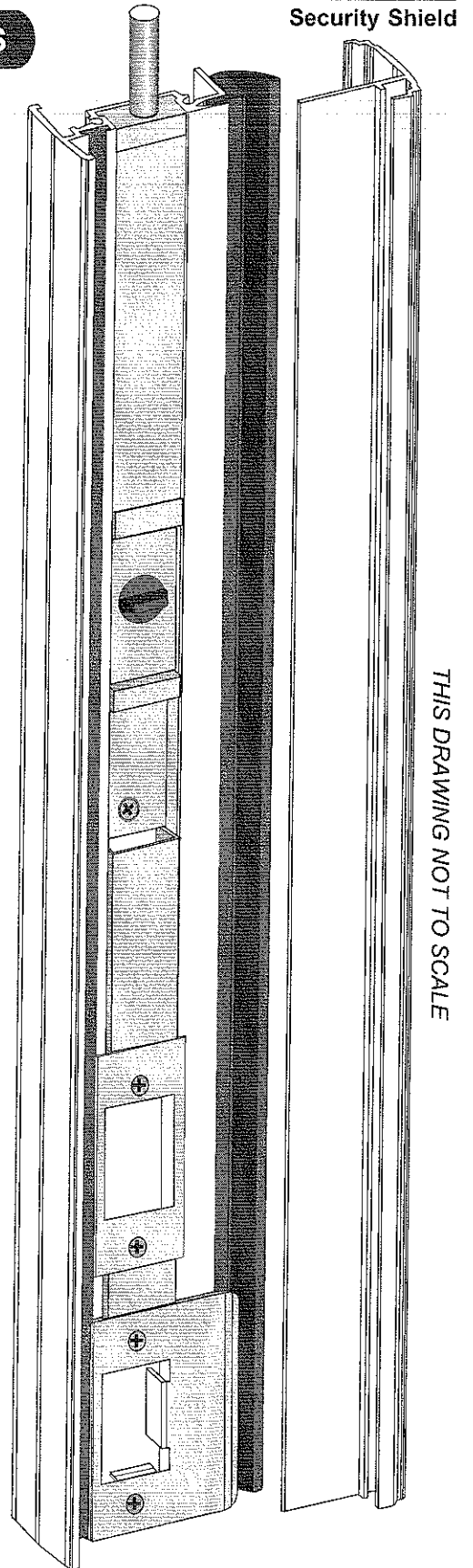
SCHLEGEL
Q-LON®
DOOR SEAL

INCLUDES 8"
PUNCH OUTS
FOR DEAD BOLT
(TWO ON 96"+)

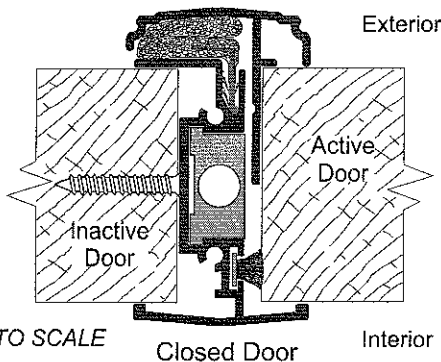
DEAD BOLT
TRIM PLATE

FULL STRIKE
PLATE

PATENT 6457751
(Bolt Assembly)



THIS DRAWING NOT TO SCALE



NOT TO SCALE

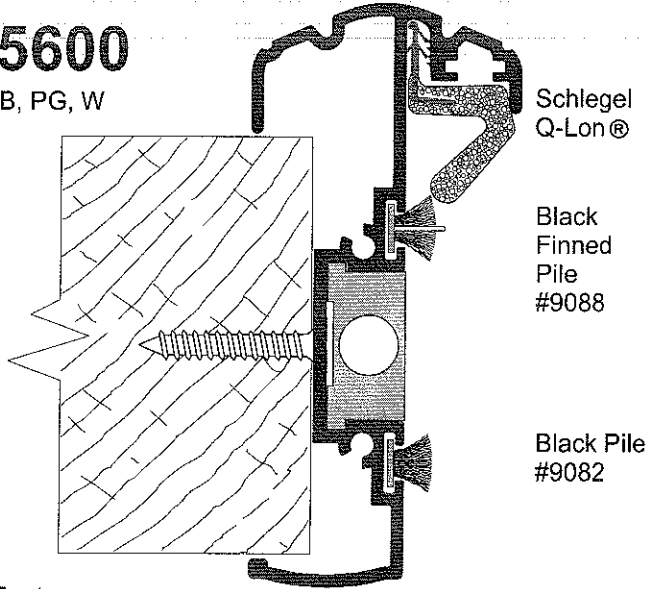
Closed Door

Interior

ASTRA-BOLT FOR 2-1/4" IN-SWING DOORS

5600

B, PG, W

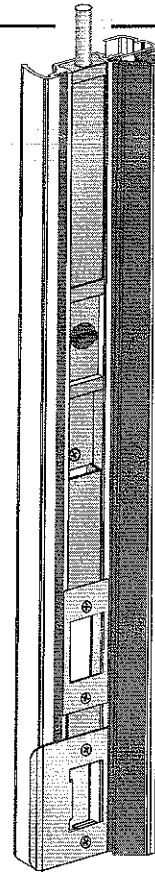


Features:

- 1) Accepts doors with heavy reveal,
- 2) Field handed, can be field trimmed,
- 3) Full strike plate & dead bolt trim plate,
- 4) Dead bolt punch out for ease of installation,
- 5) Escutcheon plate for head,
- 6) Thermoplastic bottom seal.

For in-swing doors only

1/2" space between doors plus clearance.



PATENT 6457751
(Bolt Assembly)

22 INCH SPRING
DETENT POSITIVE
ACTION BOLT UNIT
TOP & BOTTOM

QUARTER-TURN
RED KNOB FOR
ADDED SECURITY

SCHLEGEL
Q-LON®
DOOR SEAL

INCLUDES 8"
PUNCH OUTS FOR
DEAD BOLT
(TWO ON 96"+)

DEAD BOLT TRIM
TRIM PLATE

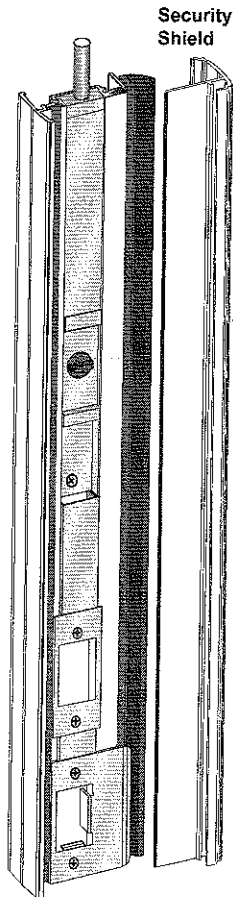
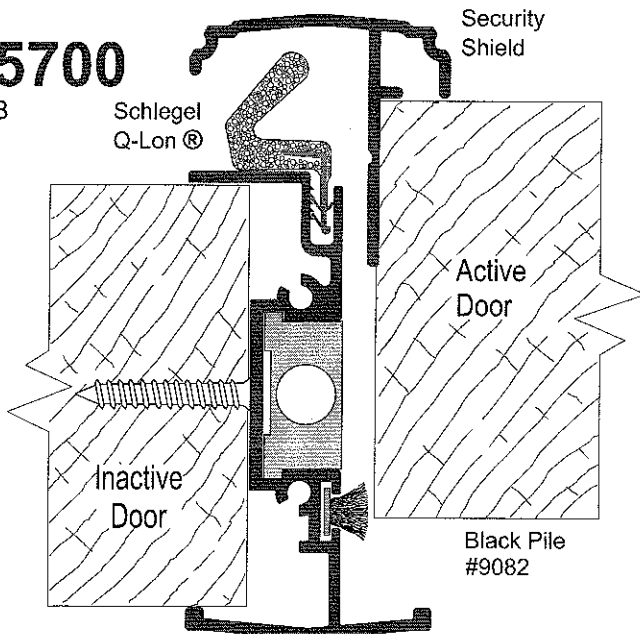
FULL STRIKE
PLATE

THESE DRAWINGS NOT TO SCALE

ASTRA-BOLT FOR 2-1/4" OUT-SWING DOORS

5700

B



22 INCH SPRING
DETENT POSITIVE
ACTION BOLT UNIT
TOP & BOTTOM

SCHLEGEL
Q-LON®
DOOR SEAL

QUARTER-TURN
RED KNOB FOR
ADDED SECURITY

INCLUDES 8"
PUNCH OUTS FOR
DEAD BOLT
(TWO ON 96"+)

DEAD BOLT TRIM
TRIM PLATE

FULL STRIKE
PLATE

PATENT 6457751
(Bolt Assembly)