

## Section 2 COMBINATION SILL-THRESHOLDS, the "COMBO SILL"

Standard Sizes: 30", 32", 36", 42", 48", 60", 64", 72" (cut exact).

**Other lengths are available.**  
(Extra cost over 73")

**Drop In Sills are cut to exact length ordered.**

Center holes are countersunk, 1 per door for routed nail-on sill; or, approximately 1 per 12" for drop-in sill. Sills can be ordered **without** center holes, if desired.

Special fabrications to ease installation with ordering information are described on page 16:

Rout for nail-on jambs (3/8" - 1-1/4")  
Mullion rout (MR)  
Rout for metal/mortised frame (RMF)  
Sill trim notch (SN)  
Nail-on rabbet

#10 phillips flathead screws are included, length per industry standard.

All Combo Sills can be packaged with any door bottom to create a packaged set.

Sill Covers and Sill Risers are on page 17.

Special anchors for concrete are available at extra cost, see page 46.

End Holes are provided with sills routed for nail-on jambs.

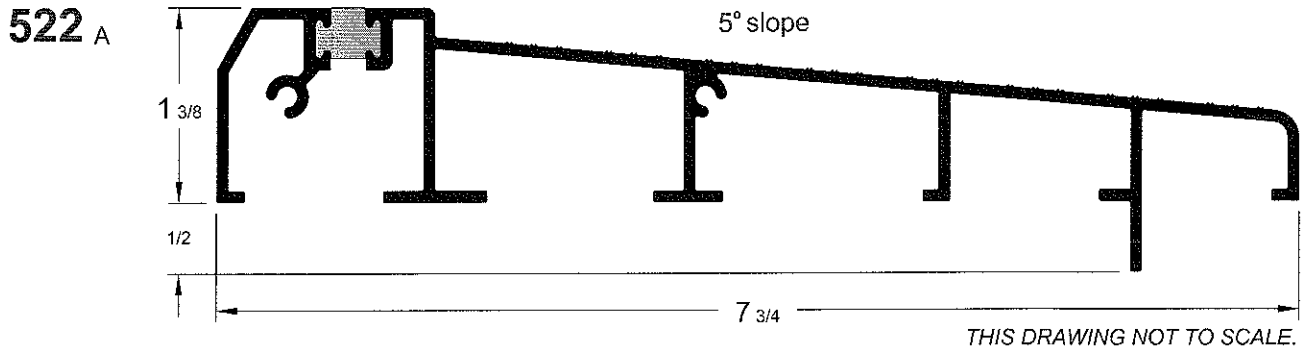
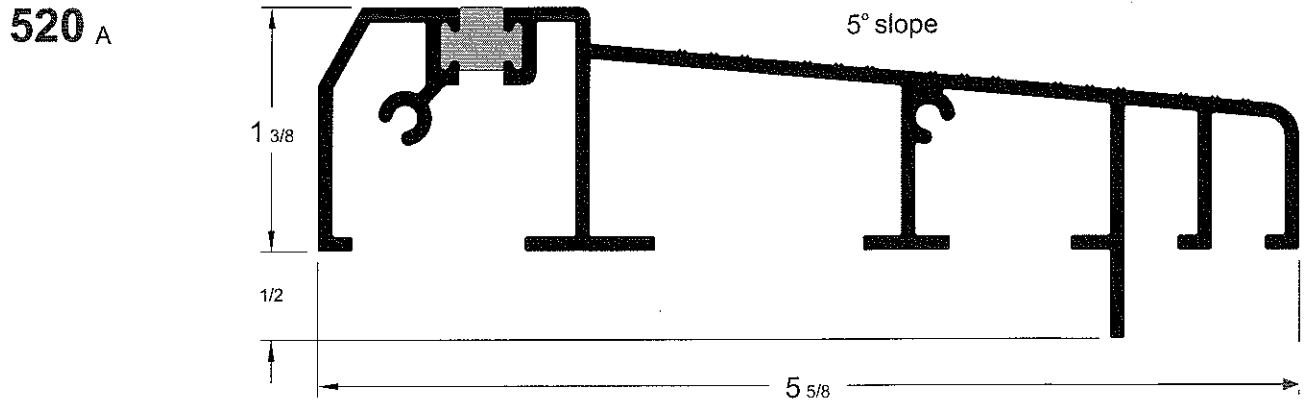
### SILL-THRESHOLD SELECTION GUIDE

| PRODUCT # | WIDTH                             | HEIGHT                          | SLOPE | JAMB WIDTH   |
|-----------|-----------------------------------|---------------------------------|-------|--|
| 542       | 4 <sup>9</sup> / <sub>16</sub> "  | 1 <sup>1</sup> / <sub>8</sub> " | 6°    | 4 <sup>1</sup> / <sub>8</sub> to 5                             |
| 550       | 5"                                | 1 <sup>1</sup> / <sub>8</sub> " | 9°    | 3 <sup>5</sup> / <sub>8</sub> to 4 <sup>7</sup> / <sub>8</sub> |
| 650       | 5 <sup>3</sup> / <sub>4</sub> "   | 1 <sup>1</sup> / <sub>8</sub> " | 9°    | 4 <sup>3</sup> / <sub>8</sub> to 5 <sup>1</sup> / <sub>2</sub> |
| 660       | 6 <sup>11</sup> / <sub>16</sub> " | 1 <sup>1</sup> / <sub>8</sub> " | 6°    | 5 <sup>1</sup> / <sub>2</sub> to 6 <sup>1</sup> / <sub>2</sub> |
|           |                                   |                                 |       |  |
| 569       | 5 <sup>5</sup> / <sub>8</sub> "   | 1 <sup>1</sup> / <sub>4</sub> " | 6°    | 4 <sup>3</sup> / <sub>8</sub> to 5 <sup>1</sup> / <sub>2</sub> |
| 775       | 7 <sup>3</sup> / <sub>4</sub> "   | 1 <sup>1</sup> / <sub>4</sub> " | 9°    | 6 to 7 <sup>1</sup> / <sub>8</sub>                             |
|           |                                   |                                 |       |  |
| 520       | 5 <sup>5</sup> / <sub>8</sub> "   | 1 <sup>3</sup> / <sub>8</sub> " | 5°    | 4 <sup>3</sup> / <sub>8</sub> to 5 <sup>1</sup> / <sub>2</sub> |
| 522       | 7 <sup>3</sup> / <sub>4</sub> "   | 1 <sup>3</sup> / <sub>8</sub> " | 5°    | 6 to 7 <sup>1</sup> / <sub>8</sub>                             |
| 580       | 5"                                | 1 <sup>3</sup> / <sub>8</sub> " | 9°    | 3 <sup>5</sup> / <sub>8</sub> to 4 <sup>7</sup> / <sub>8</sub> |
| 585       | 5 <sup>1</sup> / <sub>8</sub> "   | 1 <sup>3</sup> / <sub>8</sub> " | 9°    | 4 to 4 <sup>7</sup> / <sub>8</sub>                             |
| 680       | 6 <sup>13</sup> / <sub>16</sub> " | 1 <sup>3</sup> / <sub>8</sub> " | 9°    | 5 <sup>1</sup> / <sub>2</sub> to 6 <sup>1</sup> / <sub>2</sub> |

**NOTE: Each profile also available for continuous level floor.**

**THERMAL-BREAK THRESHOLD**

**Thermal-Break Threshold for Modular Homes (#520 & #522).** Heavy wall thickness for strength and rigidity. Screw-bosses for attaching to frame (fasteners not included). End Seals available.

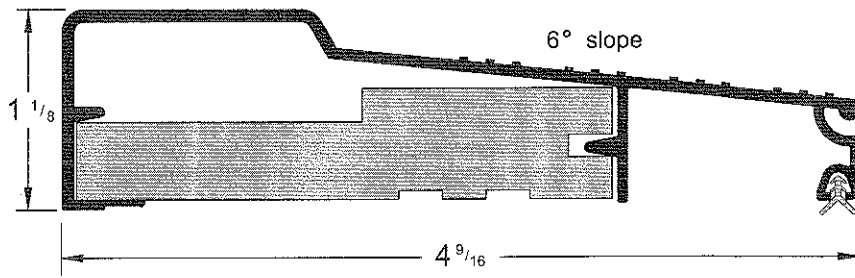


**INSERT SILL-THRESHOLD**

COMPOSITE & WOOD SUBSTRATE AVAILABLE

**542 A, B**

For jambs:  
4-1/8" to 5" wide.  
For doors 1-3/4" and over  
**Will accept extenders  
834 and 836  
shown on page 29.**



Full length wood or composite insert for glue down or nail-on applications

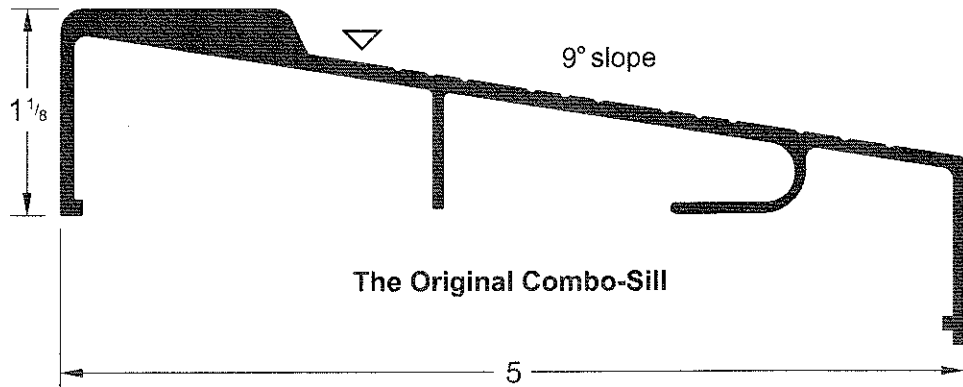
▽ Indicates location of standard fastener hole.

**"COMBO SILLS"**

**550**

A, B, W

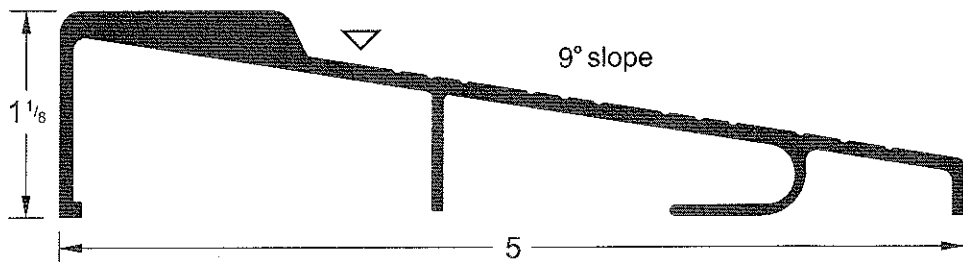
For jambs:  
3-5/8" to 4-7/8" wide.  
10 x 2" phillips  
flathead screws  
are included.



**551**

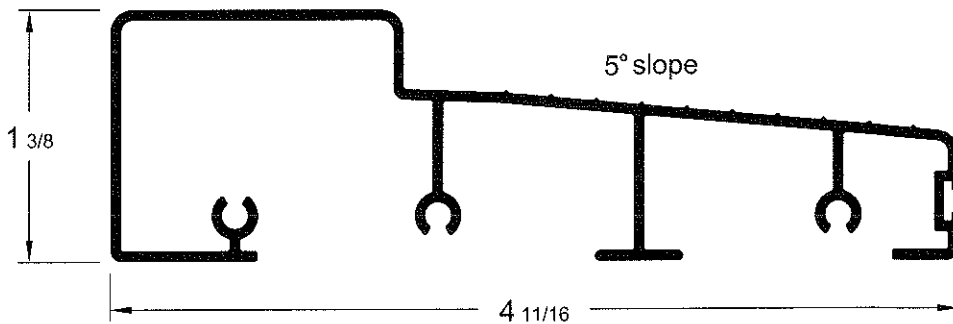
A, B, W

For jambs:  
3-5/8" to 4-7/8" wide &  
continuous level floor.  
10 x 2" phillips  
flathead screws  
are included.



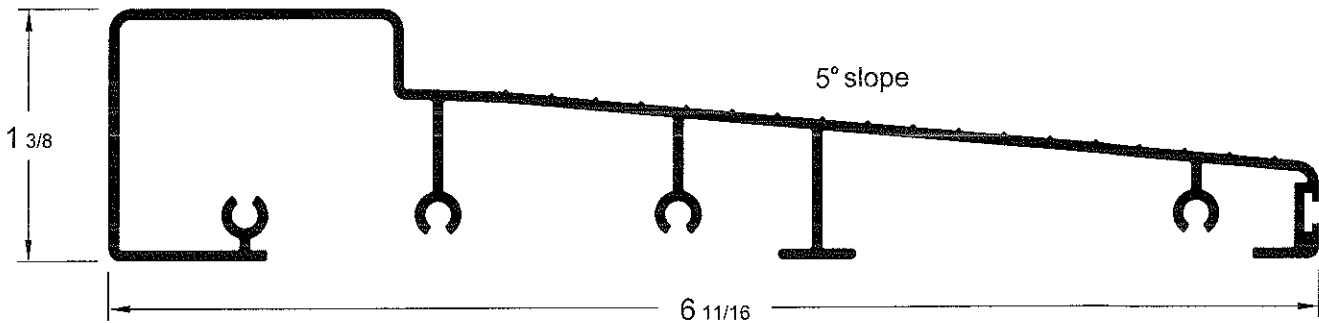
**564 A**

For jambs:  
4-1/8" to 5" wide.



**566 A**

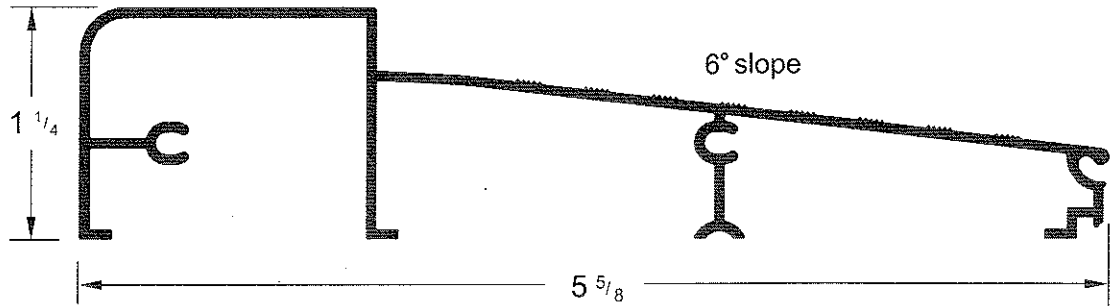
For jambs:  
5-1/2" to 6-1/2" wide.



▽ Indicates location of standard fastener hole.

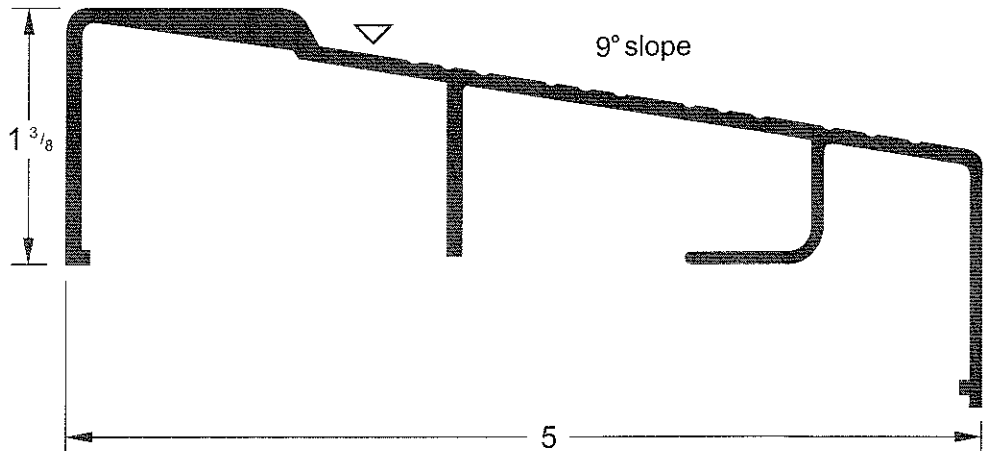
**569 B**

For jambs:  
4-3/8" to 5-1/2" wide.



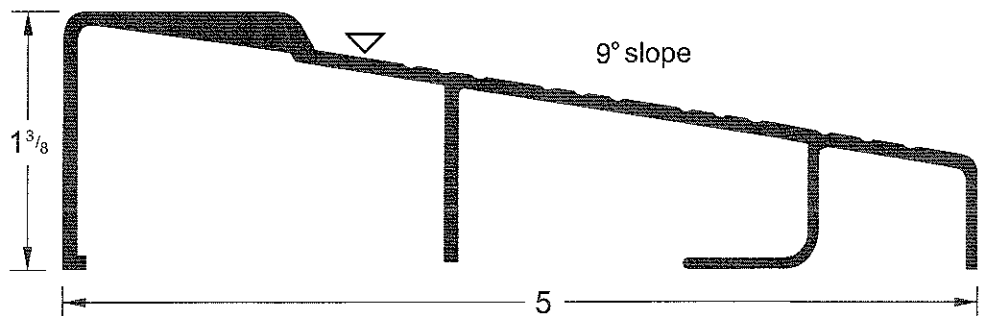
**580 A, B**

For jambs:  
3-5/8" to 4-7/8" wide.  
10 x 2-1/2" phillips  
flathead screws  
are included.



**581 A, B**

For jambs:  
3-5/8" to 4-7/8" wide &  
continuous level floor.  
10 x 2-1/2" phillips  
flathead screws  
are included.

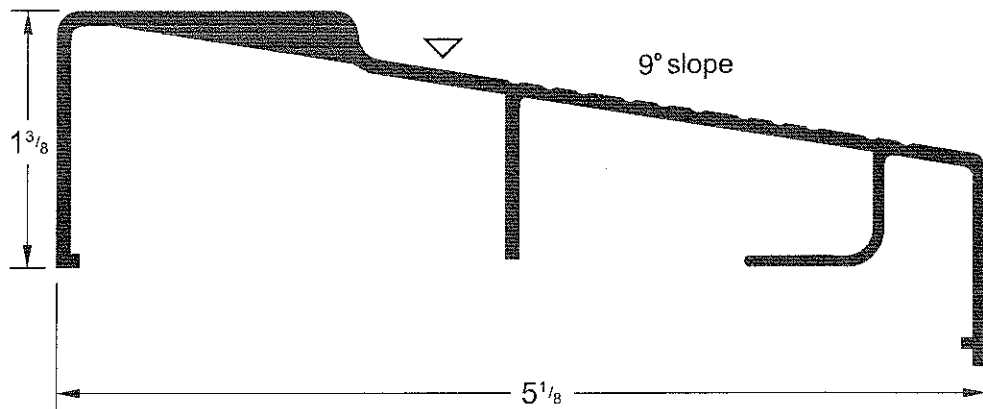


▽ Indicates location of standard fastener hole.

**Combination Sill-Thresholds** continued

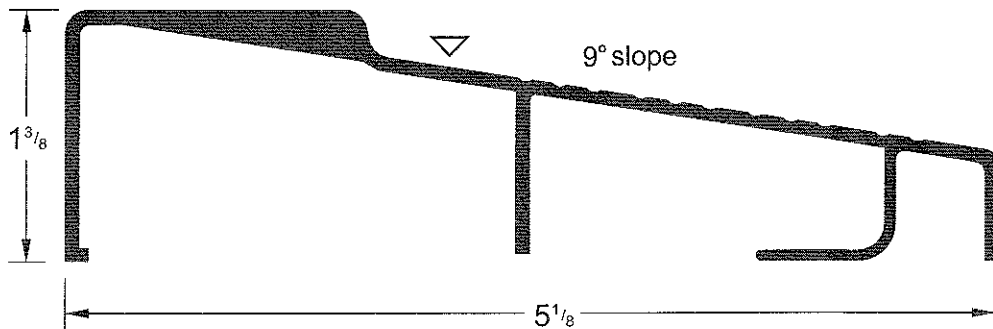
**585** A, B

For jambs:  
4" to 4-7/8" wide;  
For doors 1-3/4" and  
over. 10 x 2-1/2" phillips  
flathead screws are included.



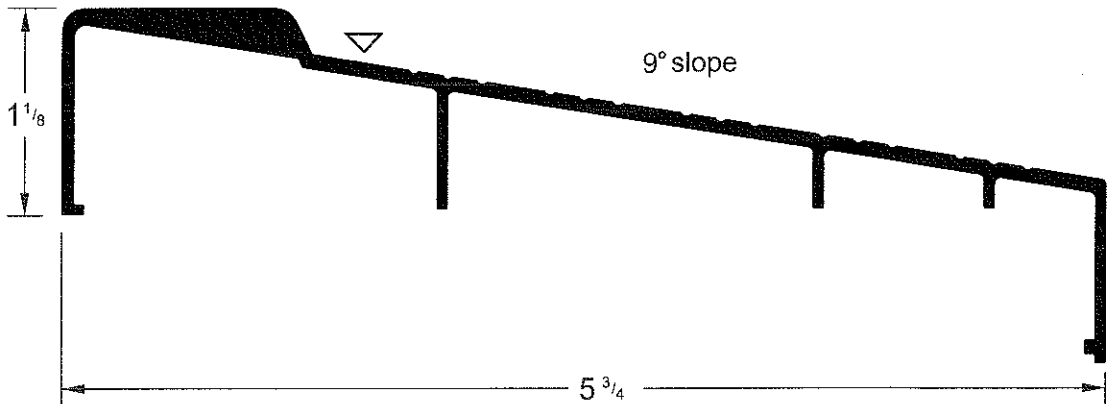
**586** A, B

For jambs:  
4" to 4-7/8" wide &  
continuous level floor.  
For doors 1-3/4" and  
over. 10 x 2-1/2" phillips  
flathead screws are included.



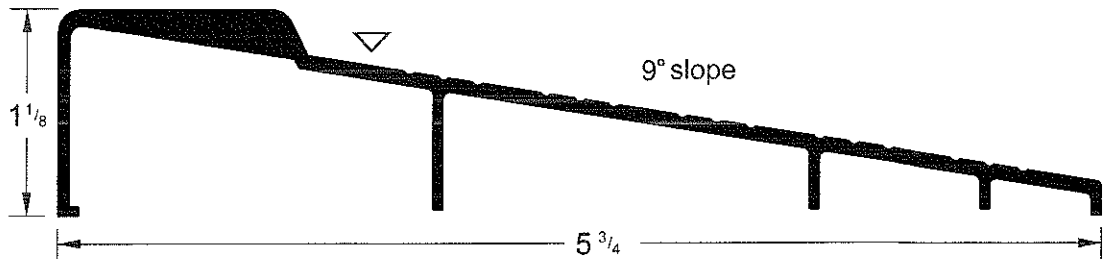
**650** A, B

For jambs:  
4-3/8" to 5-1/2"  
wide. 10 X 2"  
phillips flathead  
screws are  
included.



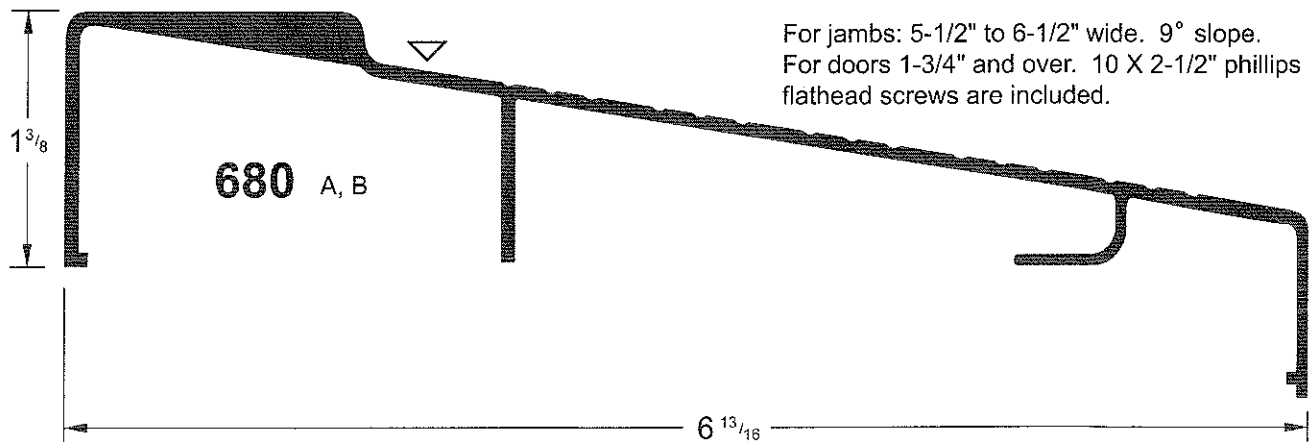
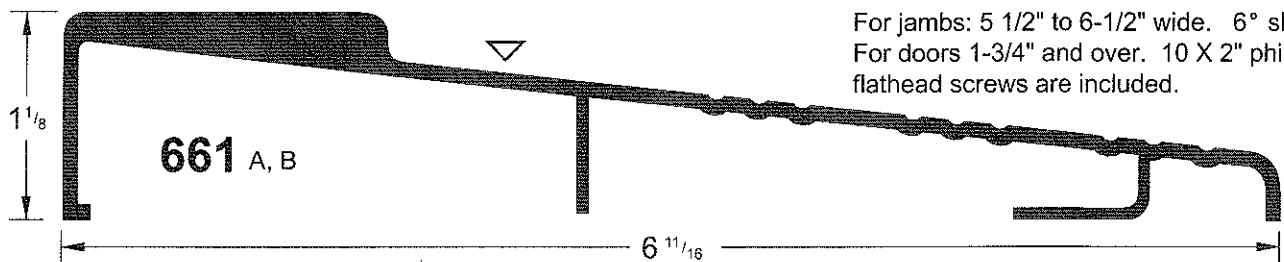
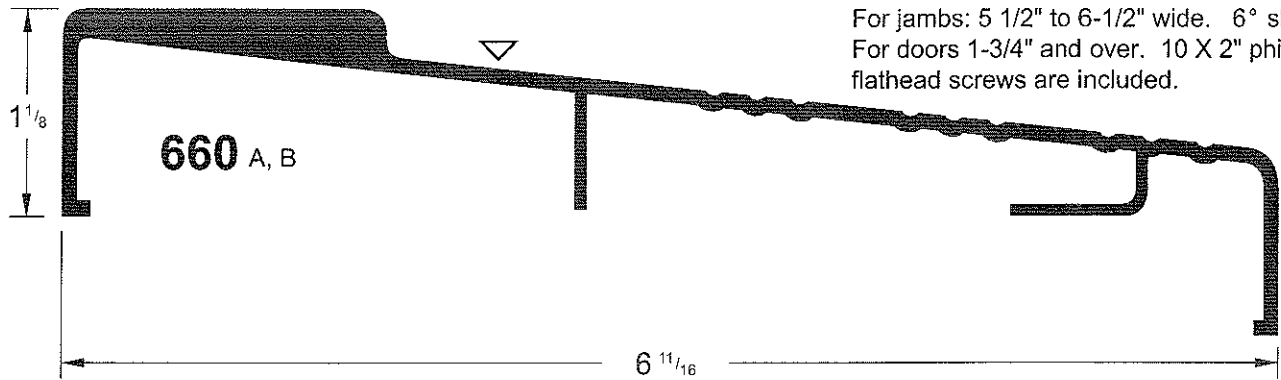
**651** A, B

For jambs:  
4-3/8" to 5-1/2"  
& continuous level  
floor. 10 X 2"  
phillips flathead  
screws are included.

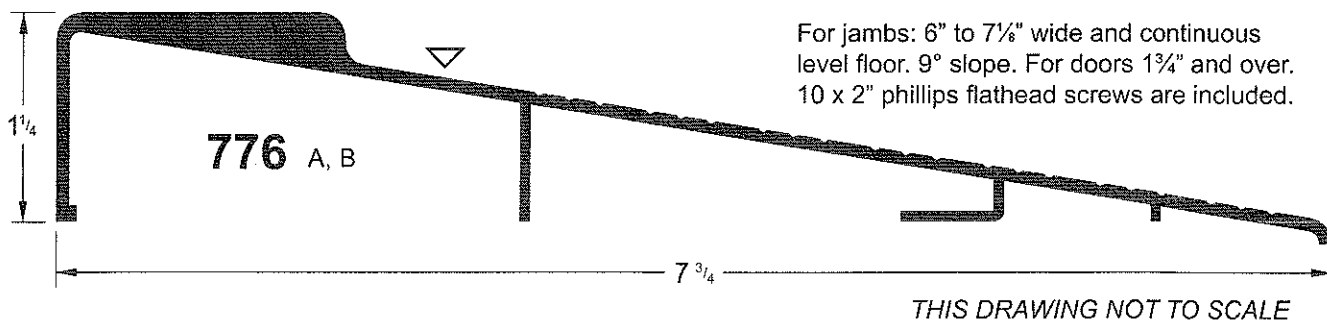
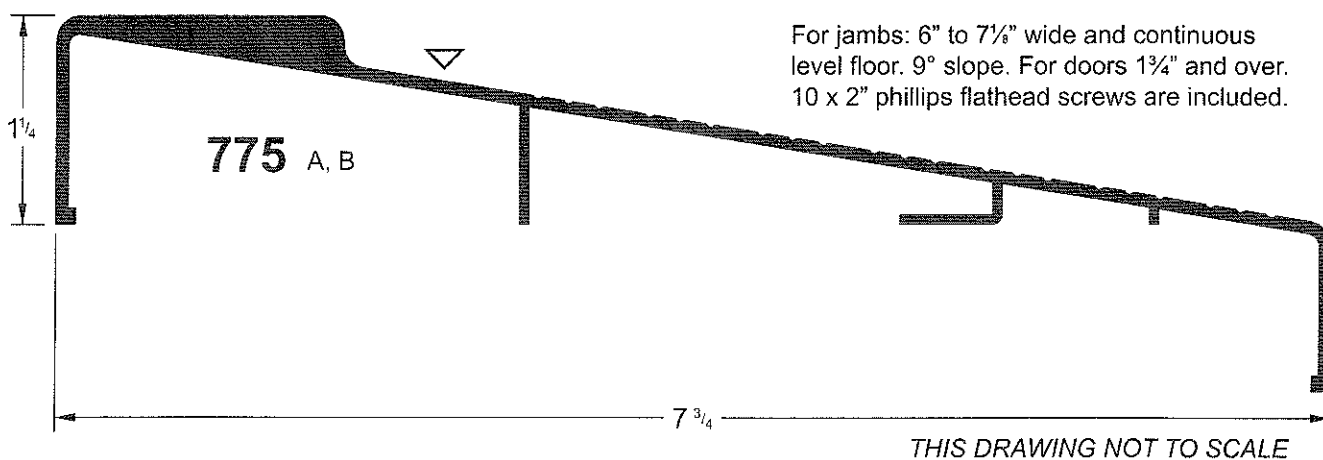
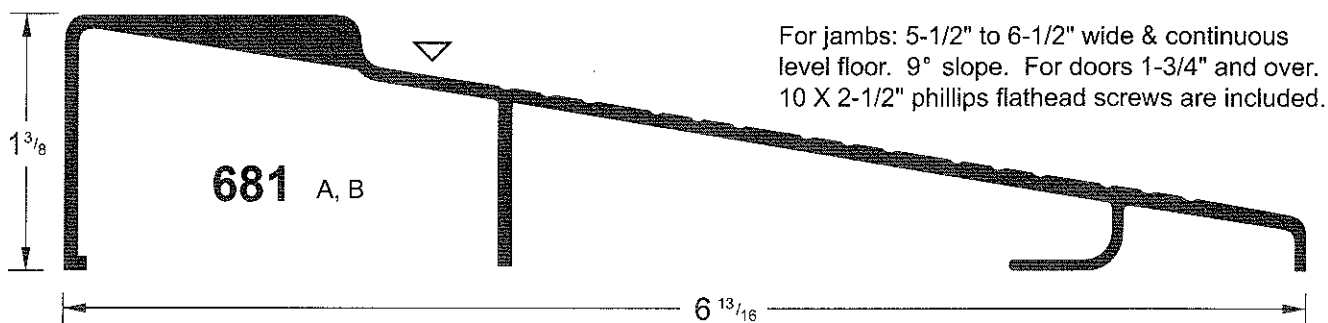


▽ Indicates location of standard fastener hole.

**Combination Sill-Thresholds** continued



▽ Indicates location of standard fastener hole.



▽ Indicates location of standard fastener hole.