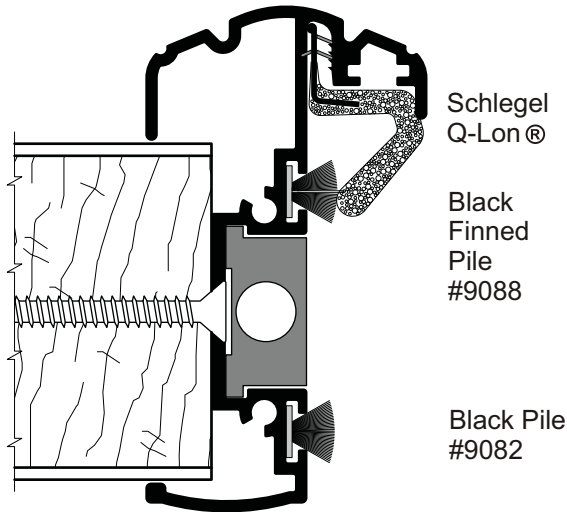


5475 HURRICANE-RATED ASTRA-BOLT

B, PG, S, W



Features:

- 1) 5/16" dia hardened steel pin,
- 2) 22" spring detent positive action bolt unit top & bottom (Patent #6457751),
- 3) 2 heavy duty escutcheon plates for top and bottom.

Additionally:

Field handed, can be field trimmed,
Thermoplastic bottom seal provided,
Fasteners included.

For in-swing doors only

1/2" space between doors
plus clearance.



THIS DRAWING NOT TO SCALE



PATENT 6457751
(Bolt Assembly)

5/16" DIAMETER
HARDENED
STEEL PIN

22 INCH SPRING
DETENT POSITIVE
ACTION BOLT UNIT
TOP & BOTTOM

QUARTER-TURN
RED KNOB FOR
ADDED SECURITY

SCHLEGEL
Q-LON®
DOOR SEAL

DEAD BOLT TRIM
PLATE

FULL STRIKE
PLATE