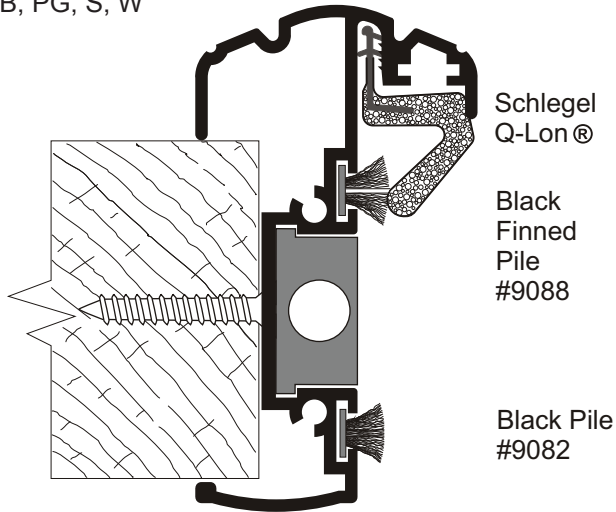


# 5400 ASTRA-BOLT

B, PG, S, W



**TRIPLE WEATHERSTRIP SEAL  
and  
22" LOCKING BOLTS**

**Features:**

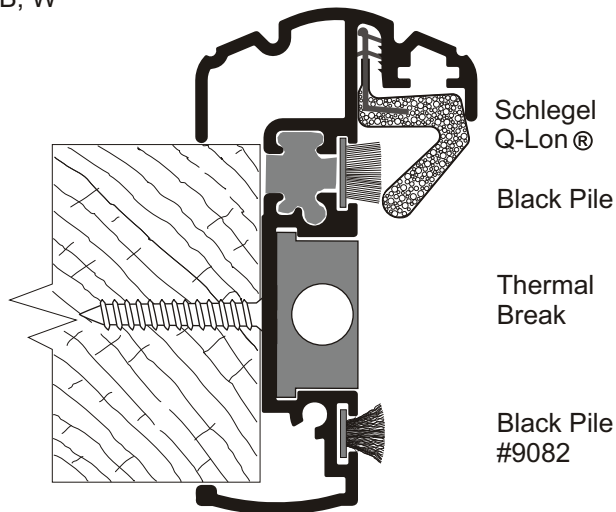
- 1) Accepts doors with heavy reveal,
- 2) Field handed, can be field trimmed,
- 3) Full strike plate & dead bolt trim plate,
- 4) Dead bolt punch out for ease of installation,
- 5) Escutcheon plate for head,
- 6) Thermoplastic bottom seal.

**For in-swing doors only**

1/2" space between doors plus clearance.

# 5450 THERMAL-BREAK ASTRA-BOLT

B, W



**PATENT 6457751**  
(Bolt Assembly)

22 INCH SPRING  
DETENT POSITIVE  
ACTION BOLT UNIT  
TOP & BOTTOM

QUARTER-TURN  
RED KNOB FOR  
ADDED SECURITY

SCHLEGEL  
Q-LON®  
DOOR SEAL

INCLUDES 8"  
PUNCH OUTS FOR  
DEAD BOLT  
(TWO ON 96"+)

DEAD BOLT TRIM  
PLATE

FULL STRIKE  
PLATE

THIS DRAWING NOT TO SCALE

