

Section 7 OUT-SWING DOOR THRESHOLDS

Standard Sizes (Product is cut oversize to allow "cutting in"): 30", 32", 36", 42", 48" (cut 3/8" over); 60", 64", 72" (cut 1" over).
 Other lengths are available. (Extra cost over 73")
 Routed thresholds (page 14)

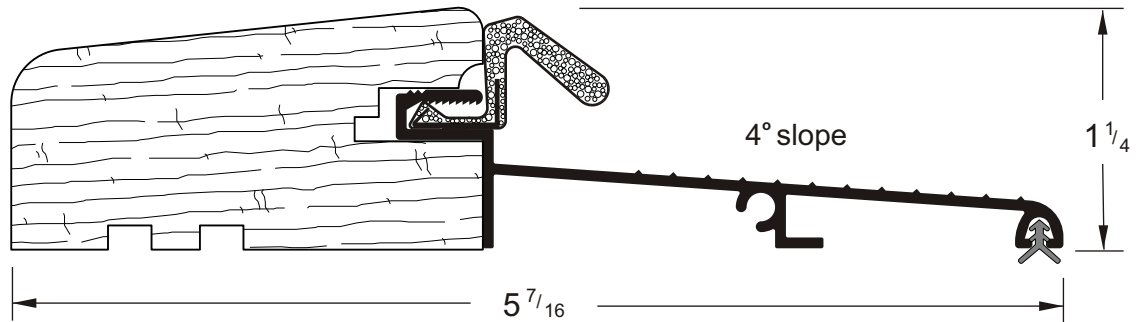
and specified lengths are cut exact.
 Center holes are counter-sunk. #10 phillips flathead screws of appropriate length are included.
 ▽ Indicates location of standard fastener hole.

Special anchors may be required on concrete slab construction and are available at extra cost, (see page 34).
 Standard bumper seal is Santoprene® (#9032T).
 Optional seals (see page 44).

HARDWOOD & ALUMINUM OUTSWING

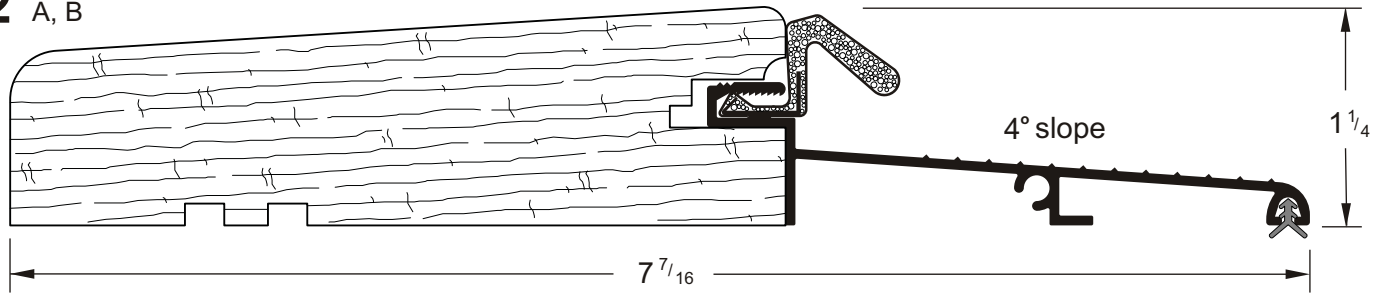
PLEASE NOTE:
 "Outswing" Astra-Bolt on page 42

410 A, B



For glue-down or nail-on applications.

412 A, B



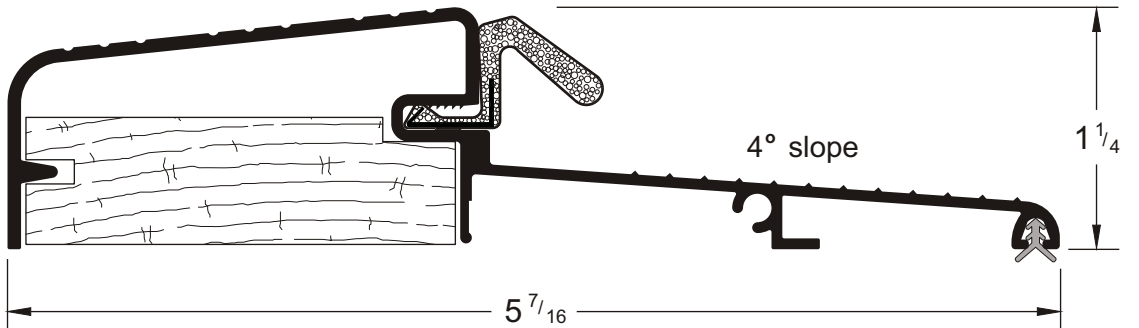
For glue-down or nail-on applications.

THIS DRAWING NOT TO SCALE

ALL ALUMINUM OUTSWING

415 A, B

Wood substrate only.



Full length insert for glue-down or nail-on applications.