

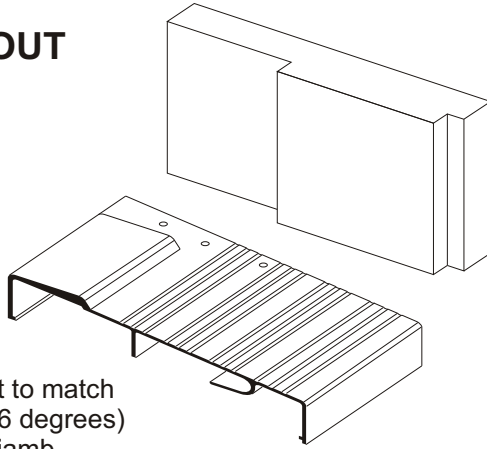
Section 3 FABRICATION OPTIONS for "COMBO SILLS"

The Combo Sill, a combination sill and threshold, and other threshold products can be customized for a variety of applications. The most commonly used fabrications are illustrated below, and include the

appropriate **ordering information**. Center holes are countersunk. Sills can be ordered **without** center holes, if required. Illustrations are not to scale. See price list for fabrication cost.

NAIL-ON ROUT

For wood door frames, using nails or staples to attach jambs to the Combo Sills (nail holes provided).



Installation:

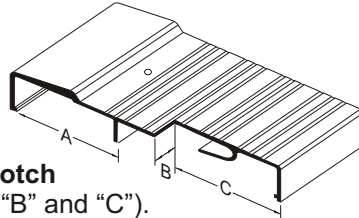
Jamb must be cut to match slope of sill. (Eg. 6 degrees)
Cut left and right jamb.

Order: Door opening plus rout size.
Rout Sizes: R3 = 3/8", R4 = 1/2", R6 = 3/4",
R7 = 7/8", R8 = 1", R9 = 1-1/8",
R10 = 1-1/4"

Holes: One (1) center hole per door.
Three (3) nail end holes.

SILL NOTCH (SN)

SN is a milling operation to fit the sill around the frame or trim molding.

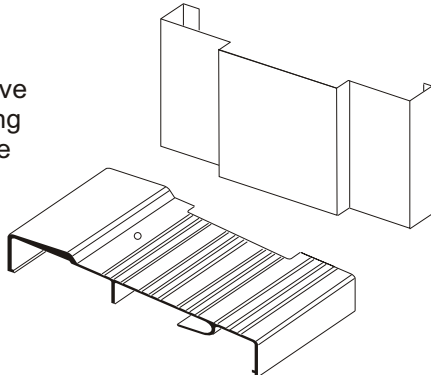


Order: Dimensions of notch required (ie: "A", "B" and "C").

Holes: Three (3) center holes per door.

ROUT FOR METAL FRAMES (RMF)

RMF is a milling operation to remove aluminum, enabling the threshold to be "dropped" into place.

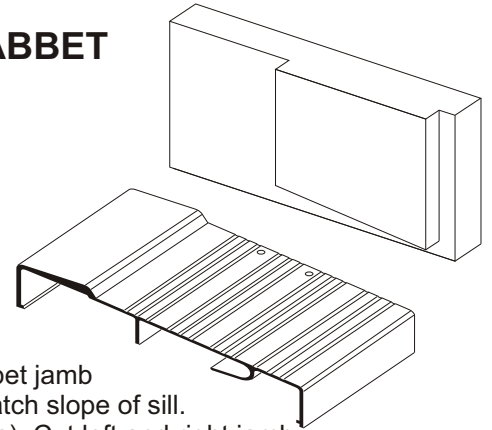


Order: Exact length required. Specify stop size, and "inswing" or "outswing" door.

Holes: Three (3) center holes per door.

NAIL-ON RABBET

For wood door frames, using nails or staples to attach door jambs to the Combo Sills (nail holes provided).



Installation:

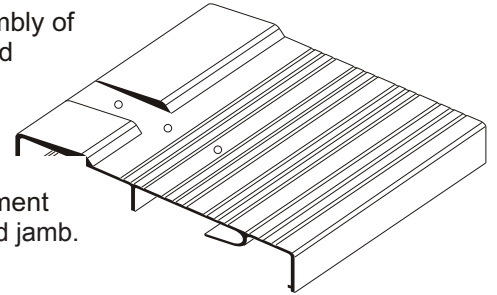
Door stop on rabbet jamb must be cut to match slope of sill. (5, 6, or 9 degrees). Cut left and right jamb.

Order: Exact length required.
Holes: One (1) center hole per door.
Two (2) end holes. Specify location.

MULLION ROUT (MR)

For shop assembly of door, frame, and lites prior to installation on the job.

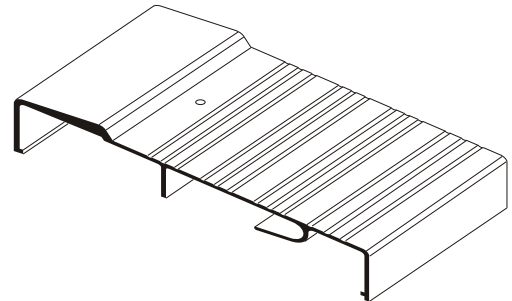
Ensures most positive attachment between sill and jamb.



Order: Exact length required and placement of rout from the outside looking in.

Holes: One (1) center hole per door.

DROP IN STANDARD (NO FAB)



Order: Exact Sill length.

Holes: Three (3) center holes per door.