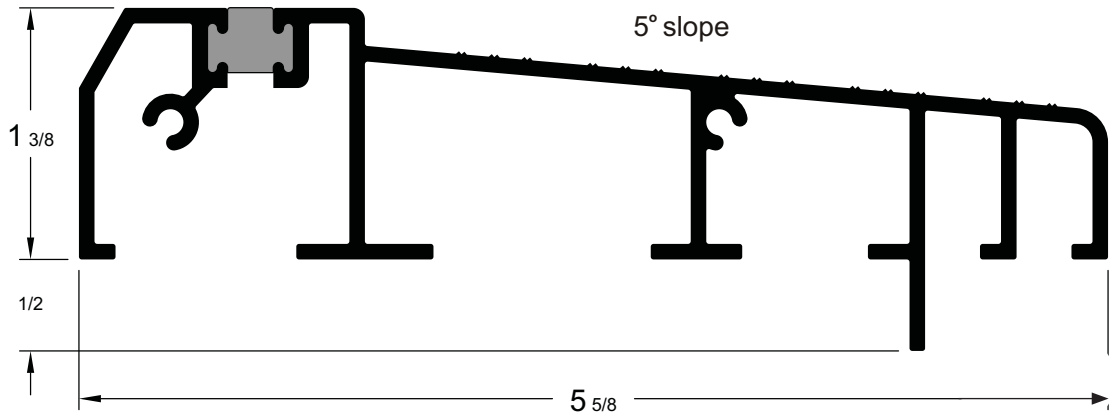


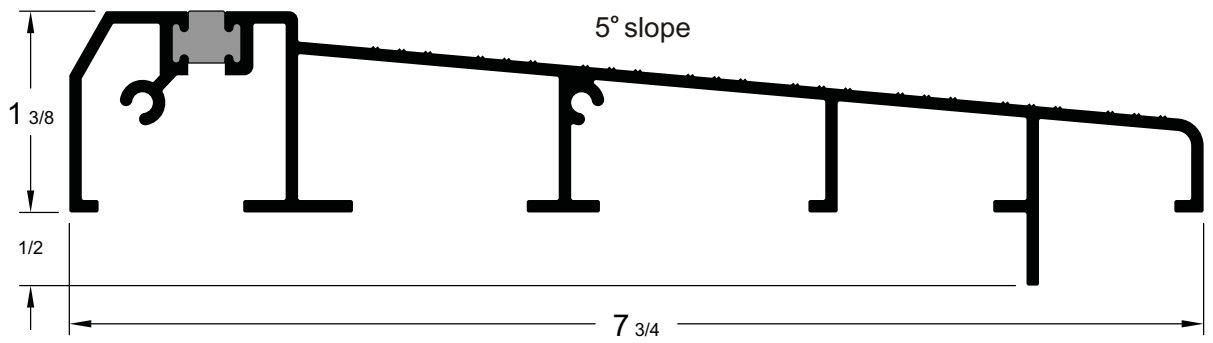
THERMAL-BREAK THRESHOLD

Thermal-Break Threshold for Modular Homes (#520 & #522). Heavy wall thickness for strength and rigidity. Screw-bosses for attaching to frame (fasteners not included). End Seals available.

520 A



522 A



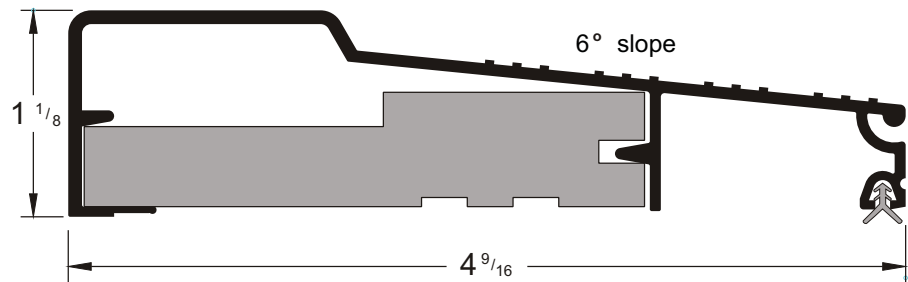
THIS DRAWING NOT TO SCALE.

INSERT SILL-THRESHOLD

COMPOSITE & WOOD SUBSTRATE AVAILABLE

542 A, B

For jambs:
4-1/8" to 5" wide.
For doors 1-3/4" and over
Will accept extenders
834 and 836
shown on page 27.



Full length wood or composite insert for glue down or nail-on applications

▽ Indicates location of standard fastener hole.